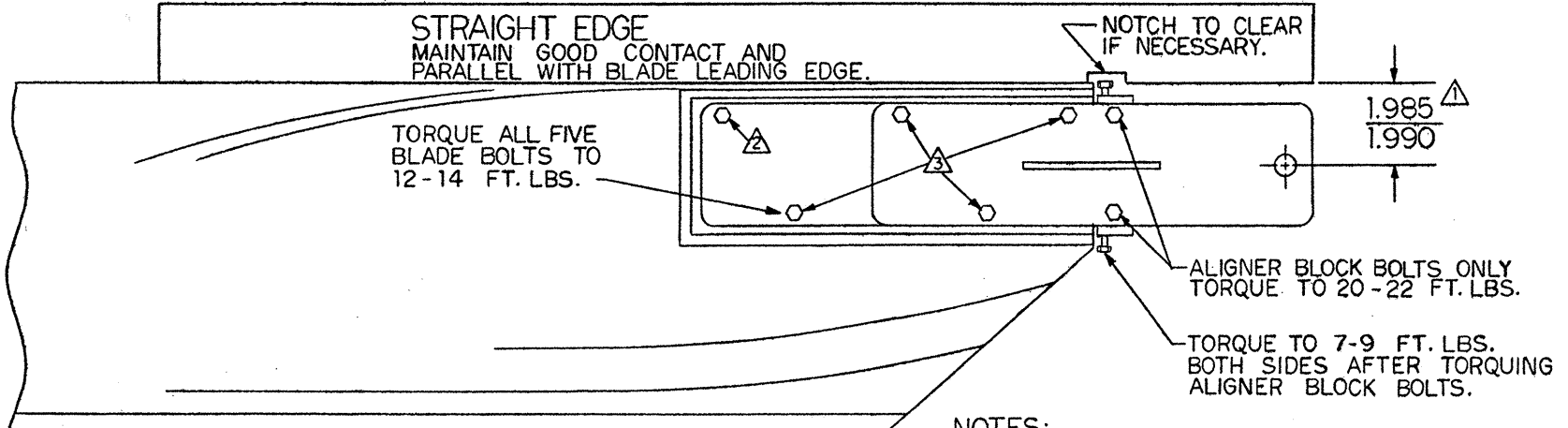


RETENTION STRAP MOUNTING



- NOTES:**
- ▲ WHEN MAKING THIS MEASUREMENT, ALL ITEMS MUST BE LEVEL- (BLADE, STRAIGHT EDGE, DIAL CALIPER).
 - ▲ PIVOT STRAPS ON THIS BOLT TO GET 1.985-1.990 DIM.
 - ▲ AFTER FINDING LOCATION, PASS 5/16 REAMER OR DRILL THROUGH REMAINING HOLES TO ENSURE EASY BOLT FIT.
 - ▲ USE A THIN COAT OF 3M STRUCTURAL ADHESIVE BETWEEN STRAP AND WOOD FILLER BLOCK.

ROTORWAY INTERNATIONAL		PHOENIX, ARIZONA	
SCALE: NONE	APPROVED BY: <i>D. Hoag</i>	DRAWN BY: WAR	
DATE: 2-1-91		REVISED	
ASYMMETRICAL MAIN ROTOR BLADES			
		DRAWING NUMBER E20-2000	